

September 3, 2024

TSSA
345 Carlingview Drive
Toronto, ON M9W 6N9

Dear TANYA FRANCIS,

Re: Reciprocal CRN Registration in Manitoba

As indicated by the Regulatory Reconciliation and Cooperation Table and the Reconciliation Agreement for the Canadian Registration Number (CRN) for Pressure Equipment, the design reviews conducted and accepted by the Canadian province or territory, or their delegated safety authority, will be mutually recognized in the Province of Manitoba. If a registration is conditionally based on compliance with the notes set by the original issuing Jurisdiction, such compliance shall be applied the same to this Province.

Your submission has been registered, as follows:

File Number: 74-R4324
CRN: 0A25065.54
Scope: Sample body connection (SB). For the scope of registration see attachment A and B
Manufacturer: SWAGELOK MANUFACTURING COMPANY
Expiry Date: 16 February 2034

Along with this letter is the invoice for registration.

In addition, every Pressure Vessel, Boiler, and Heat Exchanger shall be stamped with the registration number and as required by CSA Code B51, a Manufacturer's Data Report (MDR) must be forwarded to this office immediately at the time a unit is shipped to Manitoba. Send your MDR to gasupport@gov.mb.ca. In your subject line, indicate "*Manufacturer's Data Report-CRN No.*" A fee shall be billed to the Manufacturer to process data reports in accordance with the Steam and Pressure Plants Regulation section 17.1.

Please contact gasupport@gov.mb.ca for any questions or concerns.

Inspection and Technical Services

Labour and Immigration
508 – 401 York Avenue, Winnipeg, MB R3C 0P8
T (204) 945-3373 | F (204) 948-2089

Attachment B: Scope of CRN Registration for Swagelok Sampling Body (SB) (Category A)

This document represents the scope of Sampling Body (SB) fittings covered by this submission for CRN approval. This Sampling Body (SB) product is present in the Grab Sampling Valve (GSV) product line. These fittings were designed and evaluated in accordance with ASME B31.1-2020 for unlisted components and ASME B31.3-2020 for unlisted components.

Summary Table

Product Series	Main Pressure Bearing Component	Main Pressure Bearing Material	Port Connections and Sizes	Maximum Rated Pressure (psig)		Design Code of Construction
				@ 100°F	@ Max Temp.	
GSV (SB)	Sample Body (SB)	S31600 / ASTM A479	Tube Adapter 1/4", 6mm Female NPT 1/4" Male NPT 1/4"	3000	1680 @ 1000°F	ASME B31.1 (Unlisted Components) and ASME B31.3 (Unlisted Components)

Note: The low temperature rating (MDMT) of this product is -65°F. This value is above the Minimum Temperature listed in Table A-1 for this material (-325°F).

Product Illustration

Figure 1 – Grab Sampling Valve

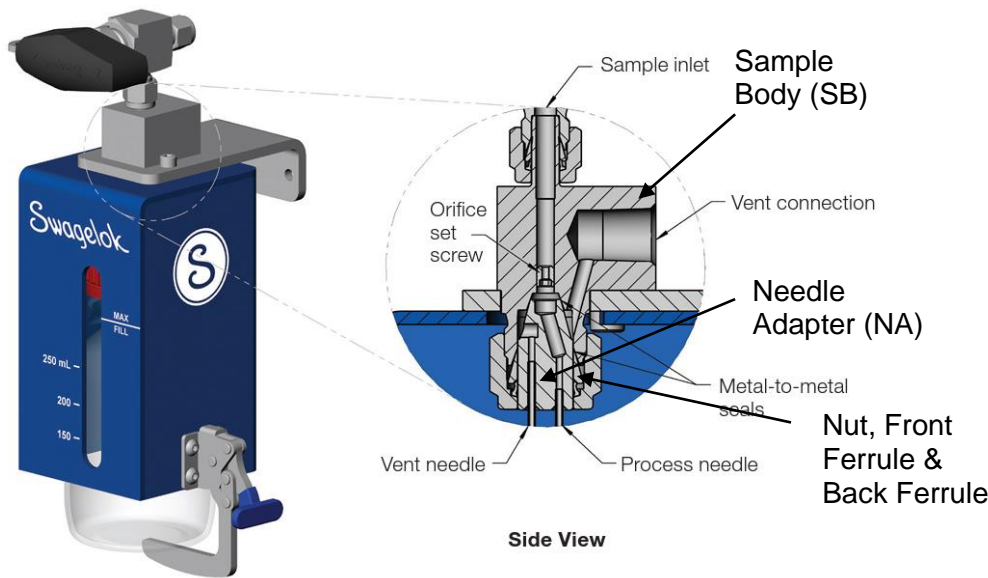
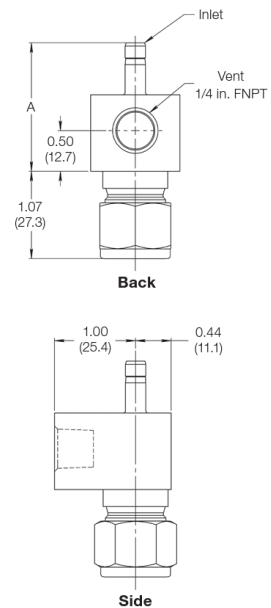


Figure 2 – Sample Body (SB)



Typical Product Characteristics

No end connections offered for use with the Grab Sampling Body (SB) product have a pressure rating less than the fitting itself.



All of the above end connection options are within the scope of this approval.

Quality System

The Swagelok Company quality system complies with the requirements of ISO 9001:2015. The Swagelok Company maintains British Standards Institution Certificate of Registration Number FM 01729, which applies to all locations listed on the Certificate.

References

The below product catalog does not represent the full scope of registration, but rather details some of the most common applications

- Grab Sampling Station Application Guide, A Swagelok Application Solution MS-02-479